

## FEATURES

- High Power Handling
- Low Limiting Threshold
- Low Leakage Level
- Miniature Sizes



## APPLICATIONS

- Front End Protection for LNA's
- Power Leveling (Limiting)
- Receiver Protection
- Radar&EW system

## SPECIFICATIONS@25°C:

Part Number	Frequency Range (GHz)	Peak Power (Kw.Max)	Pulse Width (us)	Duty Cycle %	Insertion Loss (dB)	Flatness Leakage (mW)	Spike Leakage (Watt)	VSWR (Max)	Recovery Time (us)	Connector	Size LxWxH(mm)
MLT012014H300K	1.2-1.4	30 Pulse Input	300	10	0.7	50	100mW	1.4	3	WR, N-F	WL32
MLT025027H20KK	2.55-2.7	2000	3	0.15	1	50	2	15	40	BJ-32	193*118*71
MLT025026H20KK	2.585-2.645	2000	3	0.15	1	50	2	12	40	BJ-32	55*93*80
MLT025028H20KK	2.595-2.85	2000	2.8	0.1	1.2	20	2	1.4	40	BJ-32	220*118*133
MLT028026H10KK	2.6-2.8	1000	1	0.14	1	55	2	1.4	60	BJ-32	Φ118*143
MLT029026H10KK	2.6-2.85	1000	2.8	0.1	1.2	20	2	1.4	40	BJ-32	220*114/118*133
MLT026028H20KK	2.6-2.86	2000	3	0.15	0.4	40	2	1.65	60	BJ-32	45*85*102
MLT026027H10KK	2.69-2.73	1000	3	0.105	1	50	2	20	40	BJ-32	55*93*75
MLT026028H10KK	2.695-2.845	1000	1	0.035	0.5	60	2	1.3	30	BJ-32	43*82*63
MLT027029H010K	2.7-2.9	10	12.5	10	0.8	20	100mW	1.5	1-1000	WR284/N-F	WL15
MLT027029H01KK	2.7-2.9	150	3	0.002	0.8	50	3	1.4	4	FDP-32	WL9
MLT027029H20KK	2.7-2.9	2000	3	0.15	1	50	2	1.4	10	FDP-32	WL9
MLT027029H045K	2.7-2.9	4.5	90	10	1	35	0.1	1.4	1	FDP-32/N-F	WL15
MLT027029H200K	2.7-2.95	20	100 Min	10	0.8	20	70mW	1.5	5ms	UK WG10	WL24
MLT027030H050K	2.7-3	5	1-100	20	1	30	2	1.3	10	BJ-32	175*122*93
MLT027031C050K	2.7-3.1	5 (Transmitter)	150	10	0.8	20	70mW	1.5	1	WR284/FDP32	WL34
MLT027031H050K	2.7-3.1	5	150	10	0.8	20	70mW	1.5	1	UK WG10	WL24
MLT027031C20KK	2.7-3.1	/	12.5	1.25	0.8	20	70mW	1.5	10	UK WG10	WL24
MLT027031G20KK	2.7-3.1	/	12.5	1.25	0.8	20	70mW	1.5	10	FDP-32	WL23
MLT027032H10KK	2.7-3.25	1000	2.5	0.1	1	50	2	12.5	30	BJ-32	Φ27*81
MLT027032H006K	2.7-3.26	0.6	1	0.035	1	55	2	1.5	30	BJ-32	Φ27*80
MLT027027H20KK	2.72-2.78	2000	3	0.15	1	50	2	12	40	BJ-32	55*93*75
MLT027030H07KK	2.75-3.05	700	46	1.4	0.7	10	2	1.35	14	FA32,FD32	WL19
MLT027031H10KK	2.75-3.1	1000	1	0.1	1	15	2	1.35	30	BJ-32	203*114*113



# WAVEGUIDE HIGH POWER LIMITER

Part Number	Frequency Range (GHz)	Peak Power (Kw.Max)	Pulse Width (us)	Duty Cycle %	Insertion Loss (dB)	Flatness Leakage (mW)	Spike Leakage (Watt)	VSWR (Max)	Recovery Time (us)	Connector	Size LxWxH(mm)
MLT028031H200K	2.8-3.1	20	300	10	0.8	25	2	1.5	10	FDP-32	WL23
MLT028030H10KK	2.805-3.05	1000	1	0.14	1	55	2	1.4	60	BJ-32	Φ118*126
MLT028028H10KK	2.81-2.85	1000	3	0.105	1	50	2	20	40	BJ-32	55*93*75
MLT029031H010K	2.9-3.1	1	150	15	0.8	30	100mW	1.4	5	FDP-32;N-F	WL15
MLT029031H30KK	2.9-3.1	3000	10	0.25	1	50	2	15	40	FDP-32	WL9
MLT029031H020K	2.9-3.1	2	110	4	1	50	0.1	1.4	5	FDP-32	WL9
MLT029031C300K	2.9-3.1	30 Transmitter	100	12	0.8	20	70mW	1.5	10	UK WG10	WL24
MLT029031C600K	2.9-3.1	60 Transmitter	100	12	0.8	20	70mW	1.5	10	UK WG10	WL24
MLT029032H050K	2.9-3.2	5	256ms	6	0.8	20	70mW	1.5	10	FDP-32	WL23
MLT029032H100K	2.9-3.2	10	256ms	6	0.8	20	70mW	1.5	1	UK WG10	WL24
MLT029032H10KK	2.9-3.2	1000	2.8	0.1	1.2	20	2	1.4	40	BJ-32	220*114/118*133
MLT029031H10KK	2.91-3.19	1000	1	0.14	1	50	2	1.65	40	BJ-32	143*118*118
MLT030029H10KK	2.96-3	1000	3	0.105	1	50	2	20	40	BJ-32	55*93*75
MLT031029H10KK	2.965-3.115	1000	1	0.035	1	60	2	1.4	15	FDP-32	WL9
MLT029030H10KK	2.99-3.03	1000	3	0.105	1	50	2	20	40	BJ-32	55*93*75
MLT030031H10KK	3.08-3.12	1000	3	0.105	1	50	2	20	40	BJ-32	55*93*75
MLT031034H030K	3.1-3.4	3	256	6	1	50	100	1.4	5	FDP-32	WL9
MLT034031H030K	3.1-3.4	3	256	10	0.8	10	35	1.4	5	WR284	WL30
MLT052054H300K	5.24-5.4	30	2	0.1	0.6	75	1	1.4	10	FDP-48	WL10
MLT052057H140K	5.25-5.725	14	850-1000ns	0.1-0.3	1	75	5	1.4	2	FDP-48	WL10
MLT053058H005K	5.3-5.8	0.5	130	13	1	20	100mW	1.4	5	FDP-48	WL10
MLT053058H080K	5.3-5.8	0.6	0.25-220	7	1	30mW	75mW	1.4	2	WR187/FDP48;N-F	WL14
MLT053056H01KK	5.35-5.675	100	0.5-2	0.05	1	15	2	1.4	10	BJ-48	58*89*83
MLT054057H050K	5.4-5.7	5	100	10	1(Typ)	10dBm	23dBm	/	2	FDP48	WL10
MLT054057H01KK	5.4-5.7	100	0.25-500	/	0.8	40	250mW	1.4	5	FDP48/N-F	WL18
MLT054058H150K	5.4-5.8	15	0.25-500	/	0.8	40	250mW	1.4	5	FDP48/N-F	WL18
MLT054059H080K	5.4-5.9	8	0.25-220	9	0.8	30	200mW	1.35	5	DP48/N-F	WL18
MLT059054H080K	5.4-5.9	800 Ave	0.25-220	12	1	30	200mW	1.4	5	WR187/N-F	WL18
MLT054059H100C	5.4-5.9	0.7-10	20	2.5	0.8	30	200mW	1.35	5	FDP-48;SMA-F	WL18
MLT054059H100K	5.4-5.9	0.7-10	50	5	1.1	30	0.1	1.3	5	FDP-48	WL10
MLT054059H150K	5.4-5.9	15	2	0.1	1	75	5	1.4	10	FDP-48	WL10
MLT054059H300K	5.4-5.9	30	2	0.1	1	75	5	1.4	10	FDP-48	WL10
MLT054059H10KK	5.4-5.9	100	0.25-5	/	0.8	30	200mW	1.35	5	FDP-48,N-F	WL18



# WAVEGUIDE HIGH POWER LIMITER

Part Number	Frequency Range (GHz)	Peak Power (Kw.Max)	Pulse Width (us)	Duty Cycle %	Insertion Loss (dB)	Flatness Leakage (mW)	Spike Leakage (Watt)	VSWR (Max)	Recovery Time (Us)	Connector	Size LxWxH(mm)
MLT054059H25KK	5.4-5.9	250	10-100	20	1	50	250mW	1.3	2	FDP-48	WL10
MLT054056H020K	5.45-5.65	2	0.25-220	7.5	1	30	200mW	1.4	5	FAP48;N-F	WL33
MLT055056H250K	5.575~5.625	25	1	0.1	0.7	50	2	1.4	5	BJ-58	47*81*64
MLT064069H100K	6.4-6.9	10	2.5	/	1	10	50mW	1.4	2	BJ-70	73*70*78
MLT064070H05K	6.4-7.05	5	6-20	2.5-3.8	1	40	2	1.6	2	BJ-70	71*68.3*74
MLT064070H500K	6.4-7.07	50	20	4.5	1	40	2	1.4	2	BJ-70	73*70*78
MLT067069H400K	6.7-6.9	40	0.8	0.136	0.8	100	2	1.4	3	BJ-70	49*73*55
MLT069074H600K	6.9-7.4	60	12	/	0.6	300	2	1.25	1	BJ84	WL17
MLT072077H010K	7.25-7.75	1	/	/	0.8	300	/	1.3	2	BJ-84	48*48*42
MLT077083H010K	7.7-8.3	1	150	10	0.6	/	1	1.25	0.5	WR112	WL5
MLT078083H100K	7.85-8.35	10	0.1-1.5	0.1	0.6	300	2	1.25	2	BJ-84	TBD
MLT078084H005K	7.8-8.4	0.5	100	15(Min)	0.7	/	3	1.4	3	WR112	WL5
MLT078084H100K	7.8-8.4	10	1	0.1	0.6	60	22	1.5	2	BJ-84	TBD
MLT079084H002K	7.9-8.4	0.2	/	/	0.6	/	/	1.3	/	BJ84	WL17
MLT082086H001K	8.2-8.6	0.15	200	200	0.8	45	450	1.3	2	WR90	WL6
WIR084088H120K	8.4-8.8	12	650-1000ns	0.1-0.3	1	75	5	1.3	2	WR90	WL6
MLT085091H005L	8.5-9.1	0.5	100	15	0.8	10dBm	17dBm	1.3	800ns	WR90	WL1
MLT085095C001K	8.5-9.5	0.1(Pulse)	/	10	0.8	+13dBm	+15dBm	1.4	3	FBP100,SMA-F	WL28
MLT085096H018K	8.5-9.6	1.8	300	20	1	50	2	1.45	0.8	WR80	WR26
MLT085096H020K	8.5-9.6	2	300	20	0.8	50	2	1.4	0.5	WR90	WL6
MLT085095H020K	8.5-9.5	2	30	10	0.8	250	2	1.4	/	WR90	WL1
MLT085096H003K	8.5-9.6	0.3	300	15	0.7	50	2	1.35	0.8	WR90	WL6
MLT086094H015K	8.6-9.4	1.5	20	5	1	50		1.4	1	TBD	WL1
MLT086095H020K	8.6-9.5	2	300	20	1	10dBm	15dBm	1.3	0.8	WR90	WL1
MLT086095H300K	8.6-9.5	30	1.15	1.1	0.6	100	2	1.4	1	BJ-100	39.5*76*50
MLT086095H020KC	8.6-9.5	2	300	20	1	10dBm	15dBm	1.3	0.8	WR-112	TBD
MLT086096H001K	8.6-9.6	0.15	1	0.1	0.8	60	2	1.4	2	BJ-84	TBD
MLT086096H150K	8.6-9.6	15	0.4-10	1.5	1	30	2	1.4	2	BJ-84	TBD
MLT087092H080K	8.7-9.2	8	/	/	0.8	20	100	1.4	1	WR90	WL1
MLT087094H050K	8.7-9.4	5(Transmitter)	100	20	0.8	20	100mW	1.4	1	WR90	WL1
MLT087097H002K	8.7-9.7	0.2	/	15	1	15dBm	20dBm	1.4	3	WR90	WL6
MLT088093H007K	8.8-9.3	0.75	/	20	0.8	12dBm	20dBm	1.4	1	WR90	WL1
MLT088093H010K	8.8-9.3	1	/	/	0.8	10dBm	15dBm	1.4	0.8	WR90	WL1



# WAVEGUIDE HIGH POWER LIMITER

Part Number	Frequency Range (GHz)	Peak Power (KW.Max)	Pulse Width (us)	Duty Cycle %	Insertion Loss (dB)	Flatness Leakage (mW)	Spike Leakage (Watt)	VSWR (Max)	Recovery Time (Us)	Connector	Size LxWxH(mm)
MLT088095H030K	8.8-9.5	3	100 Min	20	0.8	20	100mW	1.4	1	FBP100;SMA-F	WL20
MLT088095H030C	8.8-9.5	3	100	20	0.8	20	100mW	1.4	1	WR90	WL1
MLT088096H050K	8.8-9.6	5	5	1.2	1	50	2	1.3	1	BJ-100	39.5*50*53
MLT088096H02KK	8.8-9.6	250	5	0.6	1	50	2	1.3	1	BJ-100	75*53*39.5
MLT088096H02KC	8.8-9.6	250	0.7	0.06	1	50	2	1.3	1	BJ-100	75*53*39.5
MLT088098H800K	8.8-9.8	80	1	0.1	1	60	2	1.7	3	BJ-100	41.5*60*55
MLT088098H02KK	8.8-9.8	200	1	0.1	1	30	2	/	3	BJ-100	30.4*82*49
MLT098088H02KK	8.8-9.8	200	1	0.1	0.8	300	2	1.7	1.3	TBD	26.5*80*47
MLT088098H250K	8.87-9.87	25	0.5	0.1	1	30	2	1.4	2	BJ-100	39.5*53*53
MLT088098H001K	8.87-9.87	100	0.5	0.1	1	30	2	/	2	BJ-100	39.5*74*53
MLT089094H015K	8.9-9.4	1.5	1	0.1	1	80	2	1.5	2	BJ-100	50*50*34
MLT089095H002K	8.9-9.5	0.2	100	15	1	15dBm	20dBm	1.3	1	WR90	WL6
MLT089095H005K	8.9-9.5	0.5	100	15	1	15dBm	20dBm	1.4	3	WR90	WL1
MLT089095H005L	8.9-9.5	0.5	100	15	1	10dBm	17dBm	1.3	800ns	WR90	WL1
MLT089095H030K	8.9-9.5	3	/	15	0.8	17dBm	20dBm	1.5	2	BJ-84	TBD
MLT089095H01KK	8.9-9.55	160	1	0.1	1.3	36	2	1.35	1.5	BJ100	WL1
MLT089096H005L	8.9-9.6	0.5	100	15	0.8	10dBm	17dBm	1.3	800ns	WR90	WL1
MLT089096H050K	8.9-9.6	5	0.25-1.1	1	0.7	17dBm	20dBm	1.3	600ns	WR90	WL1
MLT089096H080K	8.9-9.6	8	1	1	0.7	17dBm	20dBm	1.3	600ns	WR90	WL1
MLT090095H0050	9-9.5	0.05	/	/	1	50	2	1.4	5	TBD	WL1
MLT090095H002k	9-9.5	0.2	/	/	1	50	2	1.4	5	TBD	WL1
MLT090096H005K	9-9.6	0.5	0.2-250	20	0.8	20dBm	50mW	1.3	0.8	WR90	WL1
MLT090096H010K	9-9.6	1	0.7	0.1	1	40	2	1.5	2	BJ-100	39.5*50*54
MLT096090H01KK	9-9.6	100	0.7	0.1	1	30	2	/	3	BJ-100	30.4*82*53
MLT090096H01KK	9-9.6	100	1	0.1	1.2	30	2	/	3	BJ-100	30.4*82*53
MLT096090H120K	9-9.6	120	0.7	0.1	1	20	2	1.5	2	BJ-100	39.5*73.5*53
MLT090096H02KK	9-9.6	200	1	0.1	1.2	30	2	/	3	BJ-100	30.4*82/82.5*53
MLT090098H015K	9-9.8	1.5	20	5	1	50	2	1.4	0.5 10	TBD	WL1
MLT090098H020K	9-9.8	2	10	5	1	50	2	1.4	0.5 10	TBD	WL1
MLT090098H100K	9-9.8	10	1	0.1	1	60	2	1.5	2	BJ-100	30*50*50
MLT090100H100	9-10	0-0.1	200	15	1.2	20	25mW	1.4	1000ns	WR;SMA-F	WL27
MLT090100H001K	9-10	0.1	200	10	0.9	20	50mW	1.4	3	WR90;SMA-F	WL16
MLT090100H003K	9-10	0.3	/	/	1	50	2	1.4	5	TBD	57*41.4*41.4



# WAVEGUIDE HIGH POWER LIMITER

Part Number	Frequency Range (GHz)	Peak Power (KW.Max)	Pulse Width (us)	Duty Cycle %	Insertion Loss (dB)	Flatness Leakage (mW)	Spike Leakage (Watt)	VSWR (Max)	Recovery Time (Us)	Connector	Size LxWxH(mm)
MLT090100G300	9-10	0.3	/	/	1	50	2	1.4	5	WR90	WL6
MLT090100H020K	9-10	2	20	10	1	20	50mW	1.4	1.5	WR90	WL1
MLT090100H040K	9-10	4	/	/	0.8	36dBm	46dBm	1.4	1.5	WR90;FBP100	WL1
MLT090100H300K	9-10	30	19ms	4	0.8	+10dBm	+17dBm	1.4	3	WR90,UG136/U	WL1
MLT091096H4KW	9.1-9.6	4	/	/	0.8	20	0.1	1.4	1	TBD	TBD
MLT091096H8KW	9.1-9.6	8	/	/	0.8	20	0.1	1.4	1	TBD	TBD
MLT091097H002K	9.1-9.7	200W	100ms	20	1	50	2	1.4	1	WR90	WL1
MLT091097H250K	9.1-9.7	25	12	5	0.9	13dBm	20dBm	1.4	0.6	WR90	WL1
MLT091097H01KK	9.1-9.7	100	1	0.1	1.1	30	2	1.5	3	BJ-100	30.4*82*45
MLT096091H100K	9.12-9.62	10	0.5	0.1	0.8	30	2	1.3	2	BJ-100	51.6*49*60
MLT091096H100K	9.12-9.62	10	0.5	0.1	0.8	60	2	1.3	2	BJ-100	30*50*42.5
MLT091096H050K	9.14-9.61	5	1.5	0.1	0.8	80	2	1.7	3	BJ-84	TBD
MLT091099H050K	9.15-9.95	5	6-20	2.5-3.8	1.1	40	2	1.6	2	BJ-100	50.4*49*60
MLT091096H002K	9.15-9.65	0.2	100ms	20	1	50	2	1.4	1	WR90	WL1
MLT091095H075K	9.17-9.57	7.5	0.5	0.1	1	50	2	11	4	BJ-84	40.5*24.6*30
MLT091095H01KK	9.17-9.57	100	1	0.1	1	50	2	8	4	BJ-100	48*20*36
MLT092094H003k	9.2-9.4	0.3	/	/	0.8	50	2	1.4	10	TBD	WL1
MLT092095H002K	9.2-9.5	0.2	/	/	0.7	10dBm	16dBm	1.3	0.7	WR90	57*41.4*41.4
MLT092095H120K	9.2-9.5	12	4	0.1	0.7	22dBm	28dBm	1.25	3	WR90	WL6
MLT092096H018K	9.2-9.6	1.8	100	10	0.8	40	2	1.25	0.8	BJ-100	WL1
MLT092096H300K	9.2-9.6	30	100-140ns	0.05	0.8	17dBm	23dBm	1.25	1.3	BJ-100	WL1
MLT096092H300K	9.2-9.6	30	100-140ns	0.03	0.8	+17dBm	=23dBm	1.4	1	wr90	WL1
MLT092097H001K	9.2-9.7	0.15	200(Typ)	/	0.7	12dBm	20dBm	1.3	1(Typ)	WR90;N-F	WL25
MLT092102H300K	9.2-10.2	30	16ms	4	0.8	+10dBm	+17dBm	1.4	3	WR90 UG136/U	WL1
MLT092102C300K	9.2-10.2	30	16ms	4	0.8	+10dBm	+17dBm	1.4	3	FBP100;SMA-F	WKL20
MLT092094H01KK	9.21-9.41	120	1	0.1	1	15	2	1.4	2	BJ-100	63.5*53*47
MLT092096S300K	9.21-9.61	30	100-140ns	0.03	1.2	17dBm	23dBm	1.4	1.3	WR29;SMA-F	WL13
MLT092095H100K	9.225-9.525	10	1	0.1	0.8	60	2	1.3	2.5	BJ-100	030*50*42.5
MLT092096H050K	9.2-9.6	5	0.14	0.05	1	1000	5	1.3	0.8	WR-90	61*42*42
MLT092097H015K	9.27-9.47	1.5	1	0.1	1	80	2	1.3	2	BJ-100	50*45*30
MLT092095H018K	9.275-9.525	1.8	100	10	0.8	40	2	1.25	0.8	BJ-100	WL1
MLT093095C004K	9.3-9.5	0.4	/	10	0.8	15dBm	20dBm	1.4	1	FBP100,SMA-F	WL20
MLT093098H003K	9.3-9.8	0.3	/	20	1	12-15dBm	20dBm	1.35	0.8	WR90;SMA-F	WL16



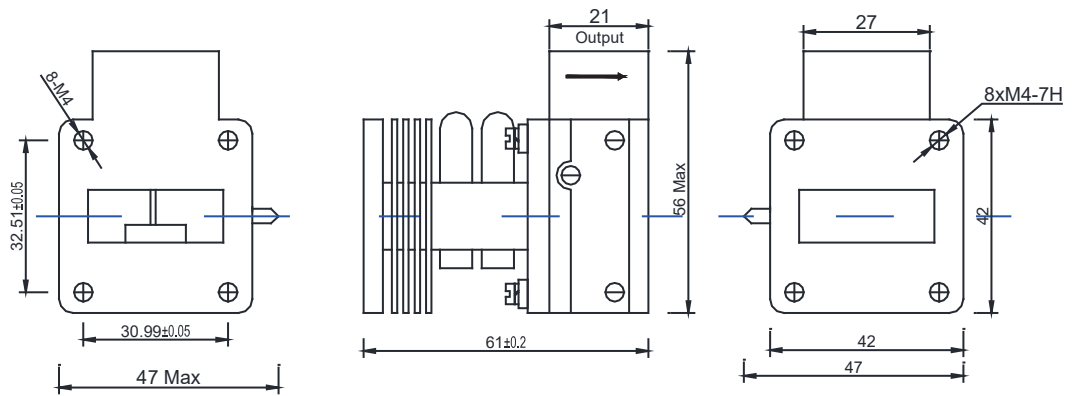
# WAVEGUIDE HIGH POWER LIMITER

Part Number	Frequency Range (GHz)	Peak Power (KW.Max)	Pulse Width (us)	Duty Cycle %	Insertion Loss (dB)	Flatness Leakage (mW)	Spike Leakage (Watt)	VSWR (Max)	Recovery Time (Us)	Connector	Size LxWxH(mm)
MLT093098H01KK	9.3-9.8	100	0.5	0.1	1	10	2	1.2	1	BJ-100	30.4*82*53
MLT093095H002K	9.31-9.51	0.25	/	1.5	0.8	50	2	1.4	1	WR90	WL1
MLT093095H006K	9.31-9.51	0.6	/	1.5	0.8	50	2	1.4	1	WR90	WL1
MLT093095H250K	9.31-9.35	25	/	0.1	0.8	50	2	1.4	1	WR90	WL1
MLT093095H500K	9.31-9.35	50	/	0.1	0.8	50	2	1.4	1	WR90	WL1
MLT093097H001K	9.35-9.75	0.15	120	10	0.9	20dBm	23dBm	1.4	3	WR90	WL6
MLT093097H002K	9.35-9.75	0.15	200	20	0.9	20dBm	23dBm	1.4	3	WR90	WL6
MLT0940947H018K	9.45-9.75	1.82	130	10	0.8	40	2	1.3	0.7	BJ-100	WL1
MLT095099H020K	9.55-9.95	2	130	10	0.8	40	2	1.25	0.6	BJ-100	WL1
MLT096100H020K	9.6-10	2	130	10	1	40	2	1.25	0.6	BJ100	63.3*49*60
MLT096100G120K	9.6-10	12	10	5	1	40	2	1.25	0.6	BJ-100	63.3*49*60
MLT096098H002K	9.64-6.84	0.25	/	1.5	0.8	50	2	1.4	1	WR90	WL1
MLT096098H006K	9.64-9.84	0.6	/	1.5	0.8	50	2	1.4	1	WR90	WL1
MLT096098H250K	9.64-9.64	25	/	0.1	0.8	50	2	1.4	1	WR90	WL1
MLT096098H500K	9.64-9.84	50	/	0.1	0.8	50	2	1.4	1	WR90	WL1
MLT097104C300K	9.7-10.4	30	16ms	4	0.8	+10dBm	+17dBm	1.4	3	FBP100/SMA-F	WL20
MLT097105C150K	9.7-10.5	15	1	1	0.8	+10dBm	+17dBm	1.4	1	FBP100/SMA-F	WL20
MLT097099H002K	9.75-9.95	0.25	/	1.5	0.8	50	2	1.4	1	WR90	WL1
MLT097099H006K	9.75-9.95	0.6	/	1.5	0.8	50	2	1.4	1	WL90	WL1
MLT097099H250K	9.75-9.95	25	/	0.1	0.8	50	2	1.4	1	WR90	WL1
MLT097099H500K	9.75-9.95	50	/	0.1	0.8	50	2	1.4	1	WR90	WL1
MLT099104H003K	9.9-10.4	0.35	2.5	10	0.7	10dBm	20dBm	1.3	1	WR90/BJ100	WL6
MLT140143H030K	14-14.3	3	1	0.1	1.2	160	2	1.3	2	WR62	WL11
MLT142153H800K	14.25-15.35	800	1	0.1	1.5	30	2	1.5	3	BJ-140	WL11
MLT144154C300K	14-15.4	30	9	5	1.2	+10dBm	+17dBm	1.35	2	WR62	WL11
MLT155145H800K	14.5-15.5	800	1	0.1	1.5	30	2	1.5	2	BJ-140	WL11
MLT145155H800K	14.5-15.5	800	1	0.1	1.2	30	2	1.5	2	BJ-140	WL11
MLT145155H001K	14.5-15.5	0.01	1	0.1	1.2	60	2	1.5	2	BJ-140	42*33*20.5
MLT145149H010K	14.5-14.9	1	9	4.6	1.2	15	2	1.3	6	BJ-140	48.3*51*43
MLT145154H01KK	14.55-15.45	100	1	0.06	1.25	50	2	1.7	6	BJ-140	18.8*55*36
MLT154145H01KK	14.55-15.45	100	0.8-1	0.06	1	50	2	7	6	BJ-140	15*30*30
MLT145154H050K	14.55-15.45	5	1	0.06	1.25	50	2	1.7	2	BJ-140	18.8*55*36
MLT146153H001K	14.625-15.375	0.1	1	0.1	1.1	30	2	1.5	2	BJ-140	19.2*46*33

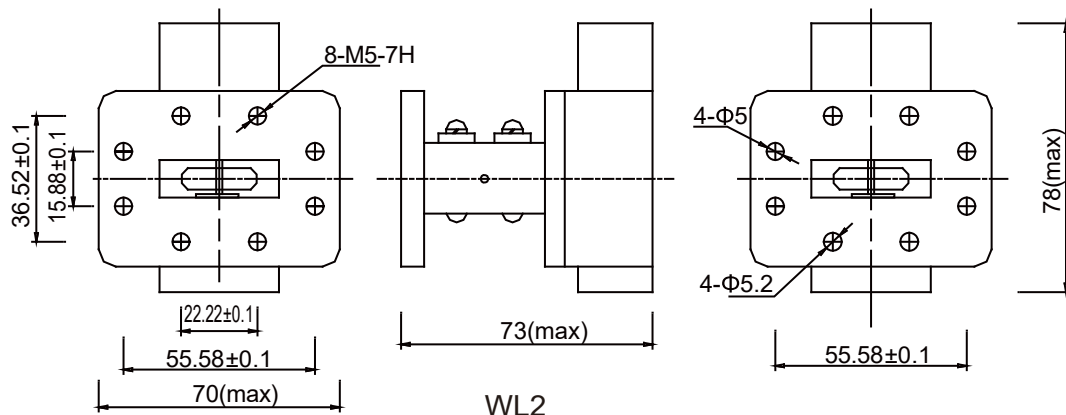


# WAVEGUIDE HIGH POWER LIMITER

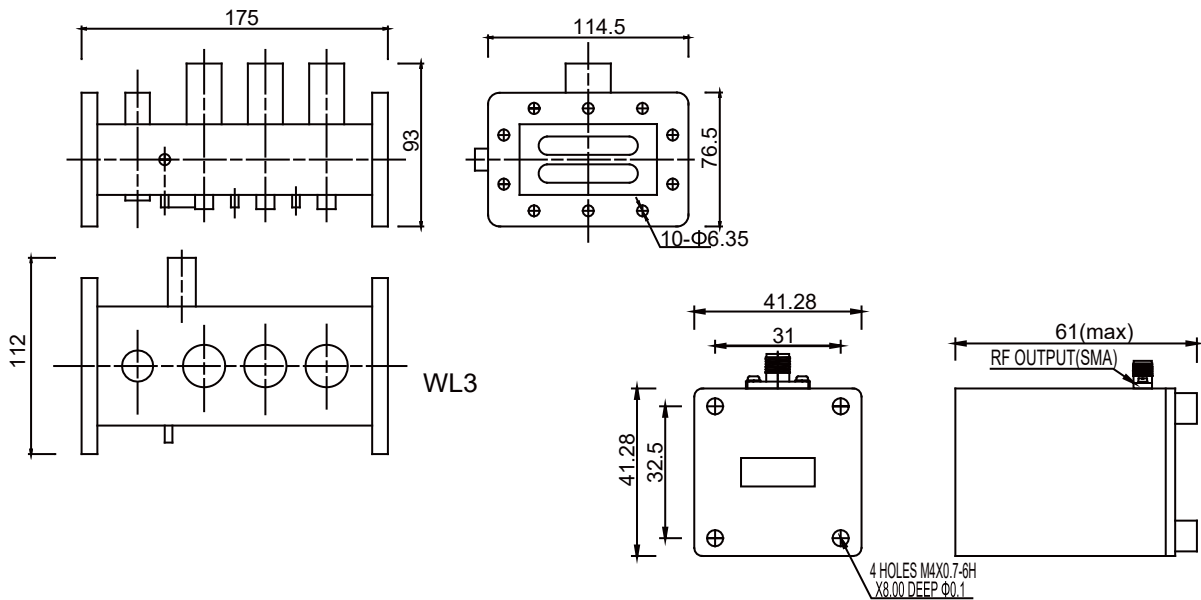
Part Number	Frequency Range (GHz)	Peak Power (KW.Max)	Pulse Width (us)	Duty Cycle %	Insertion Loss (dB)	Flatness Leakage (mW)	Spike Leakage (Watt)	VSWR (Max)	Recovery Time (Us)	Connector	Size LxWxH(mm)
MLT146153H030K	14.625-15.375	3	0.12	0.0504	1.1	30	2	1.5	2	BJ-140	19.2*46*33
MLT147153H800K	14.7-15.3	80	1	0.1	1.2	60	2	1.5	2	BJ-140	19.2*46*33
MLT148152H800K	14.8-15.2	80	0.7	0.1	1.2	20	2	1.5	1.2	BJ-140	48.5*47.3*50.5
MLT148152H200K	14.8-15.2	20	0.5	0.1	1.4	12	2	1.3	2	BJ-140	48.5*51*43
MLT148152H050K	14.8-15.2	5	0.7	0.1	1.2	40	2	1.5	0.8	BJ-140	48.5*47.3*50.5
MLT150155H002K	15-15.5	0.2	0.2-250	20	1.2	50	200mW	1.4	2	WR62	WL11
MLT150156H025K	15-15.6	2.5	0.8-30	0.1-2	1	50	2	1.4	3	WR6	WL11
MLT160170H001K	16-17	0.1	10-200	30	1.2	10dBm	18dBm	1.45	1	BJ-140	WL11
MLT160170H010K	16-17	1	7.5	10	1.3	20	2	1.4	10	BJ-140	47.2*51*33
MLT170160H600K	16-17	60	0.5-7.5	4.6	1.2	20	2	1.25	10	BJ-140	42*33*19.4
MLT160170H600K	16-17	60	1	0.1	1.2	30	2	1.25	10	BJ-140	42*33*19.4
MLT170160H100K	16-17	10	1	0.1	1	30	2	1.25	8	BJ-140	38.5*33*20.5
MLT160170H100K	16-17	10	1	0.1	1	75	2	1.6	8	BJ-140	38.5*33*20.5
MLT168161H020K	16.15-16.85	2	7.5	6	1.2	20	2	1.3	2	BJ-140	48.5*62.5*51.3
MLT161168H020K	16.15-16.85	2	7.5	6	1.2	40	2	1.3	2	BJ-140	48.5*47.3*50.5
MLT170180H300K	17-18	30	/	0.1	1.2	50	2	1.3	2	BJ-140	WL11
MLT330340H004K	33-34	0.4	50	10	0.8	200	2	1.4	2	BJ-320	WL12
MLT333347H100K	33.3-34.7	10	1	0.01	1.3	200	2	1.4	2	BJ-320	TBD
MLT340360H010K	34-36	1 Transmitter	20	4	1	200	1	1.4	1	BJ-320	WL12
MLT344356H100K	34.4-35.6	10	1	0.01	1.3	200	2	1.4	2	BJ-320	WL12
MLT345355H008K	34.5-35.5	0.8 Transmitter	15	10	1	200	1	1.4	1	BJ-320	WL12
MLT345355H010K	34.5-35.5	1 Transmitter	20	10	1	200	1	1.4	1	BJ-320	WL12
MLT355356H020K	35.55-35.65	2	0.5	/	0.8	800	200mW	1.3	1	BJ-320	WL29



WL1

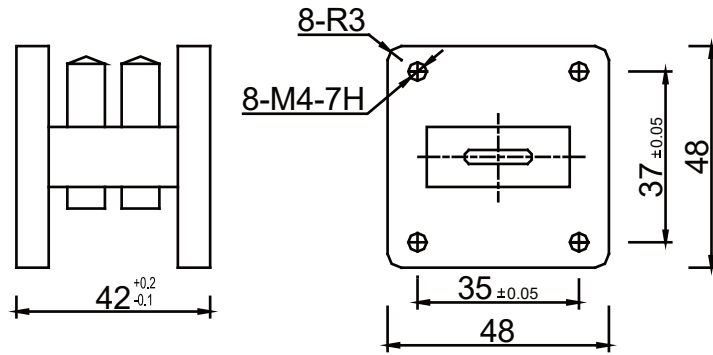


WL2

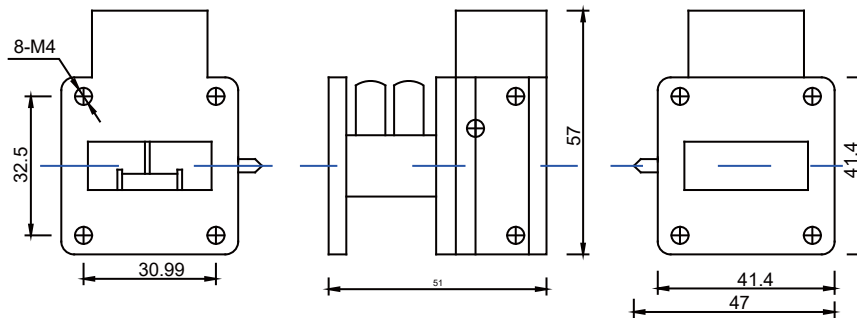


WL4

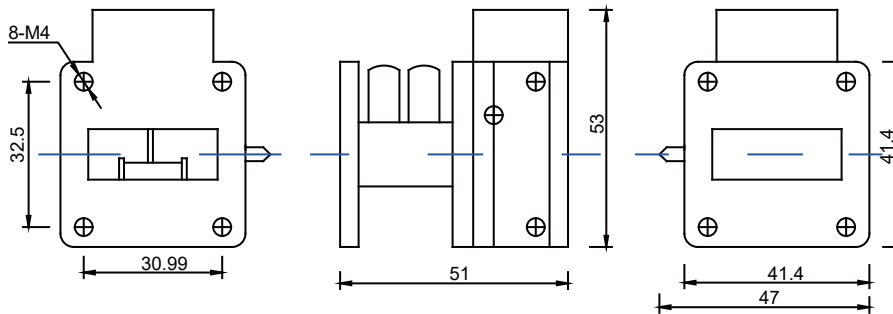




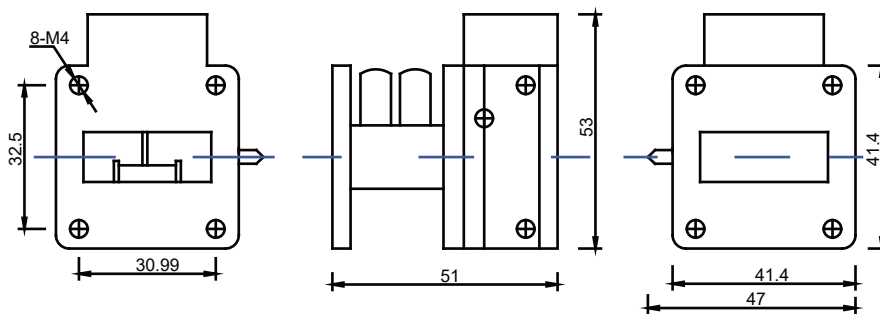
WL5



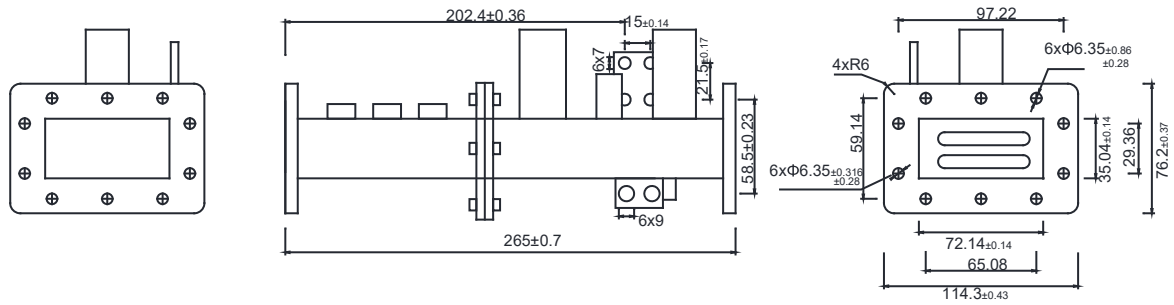
WL6



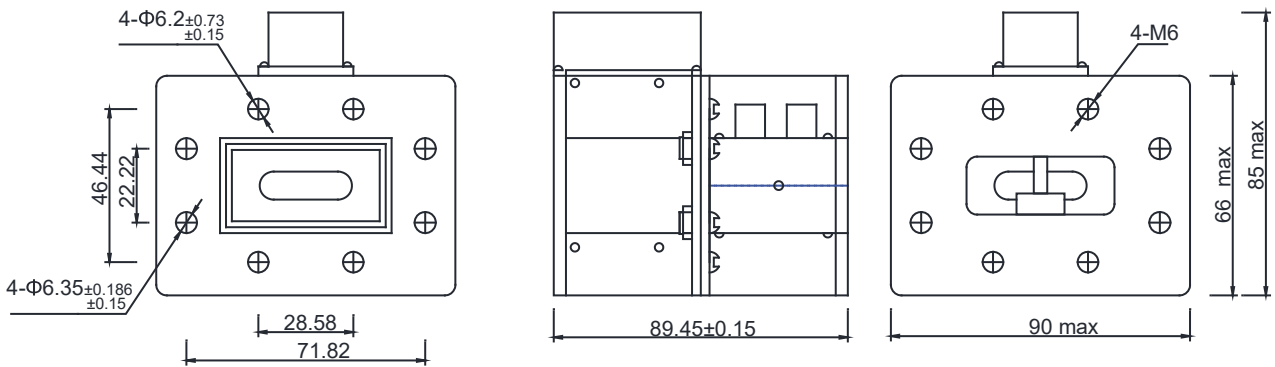
WL7



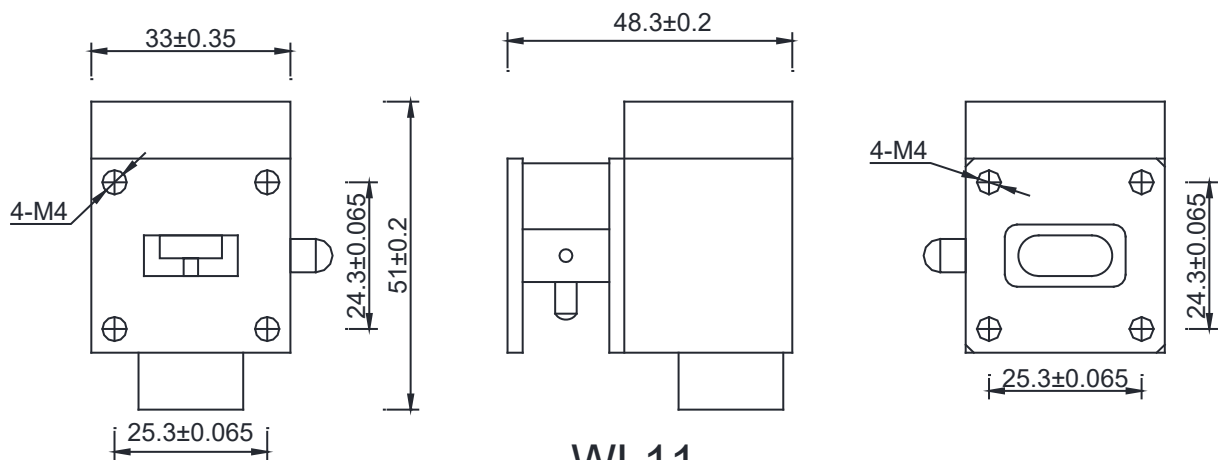
WL8



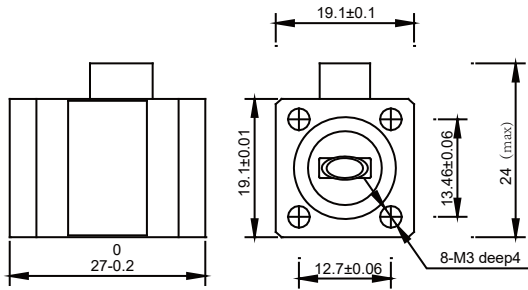
WL9



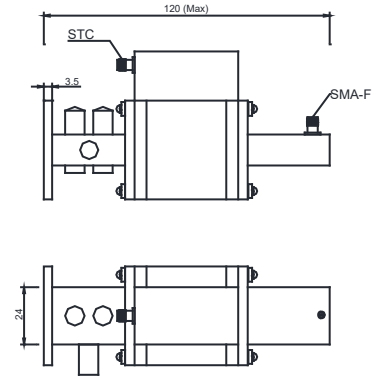
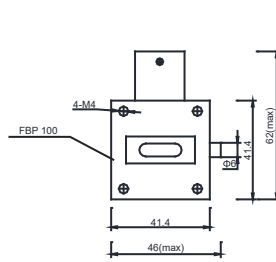
WL10



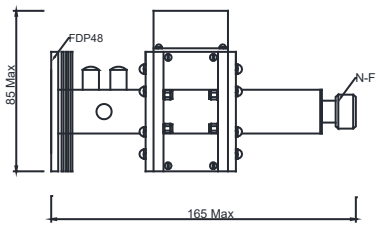
WL11



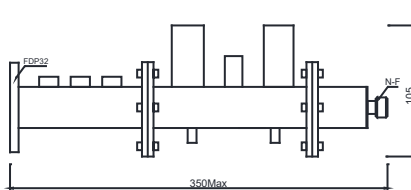
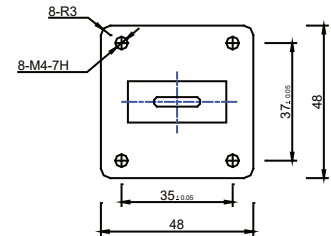
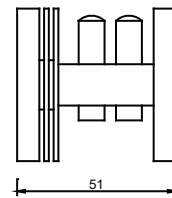
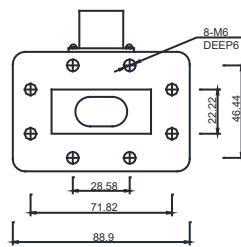
WL12



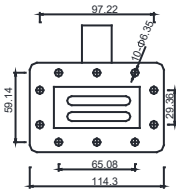
WL13



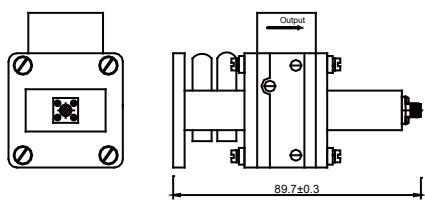
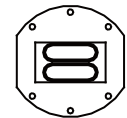
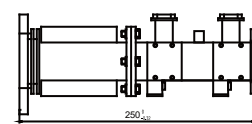
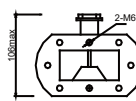
WL14



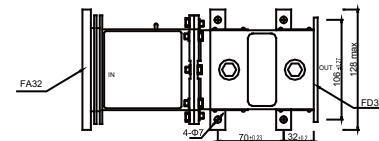
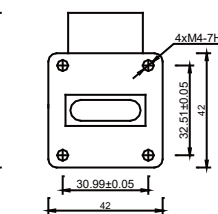
WL15



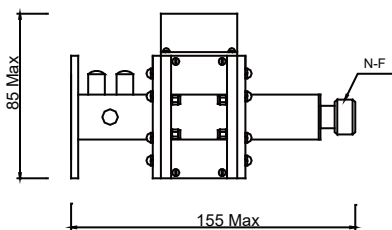
WL17



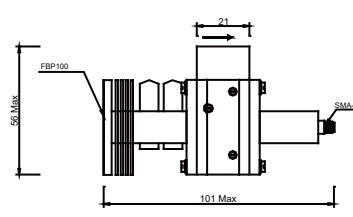
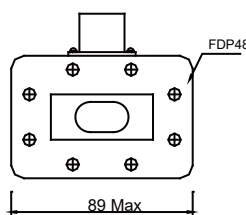
WL16



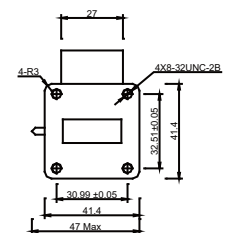
WL19

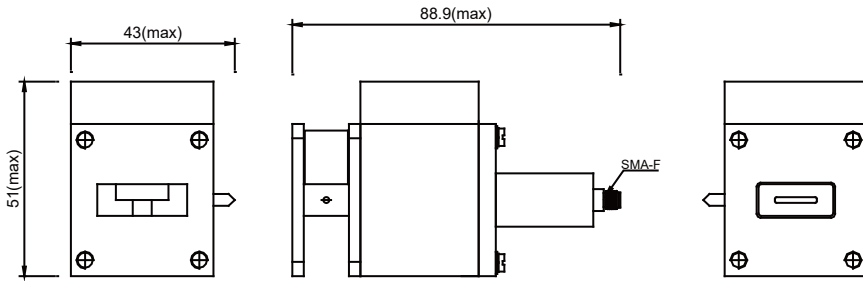


WL18

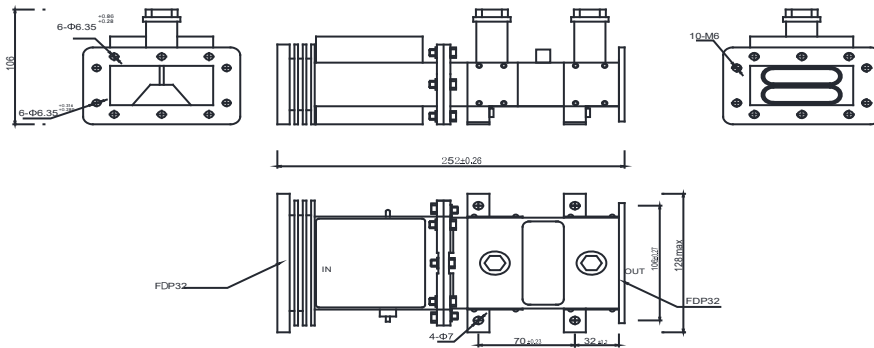


WL20

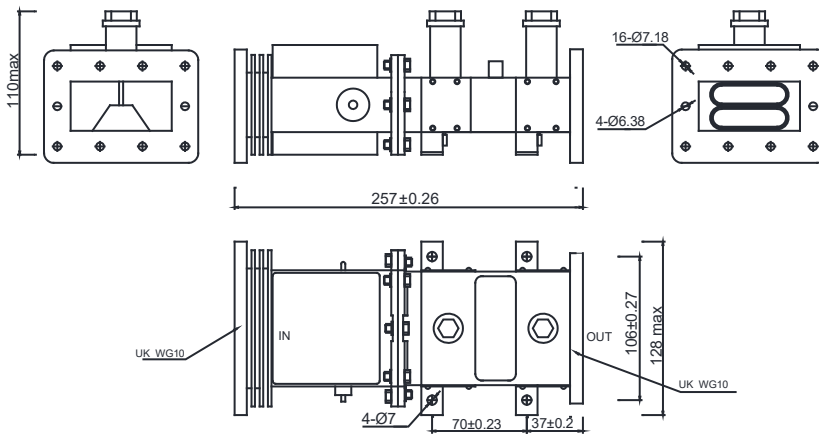




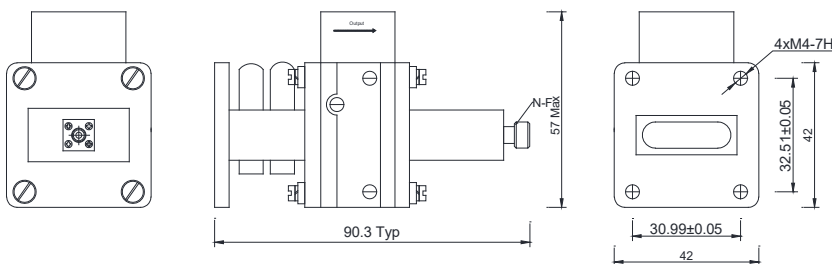
WL22



WL23



WL24



WL25

